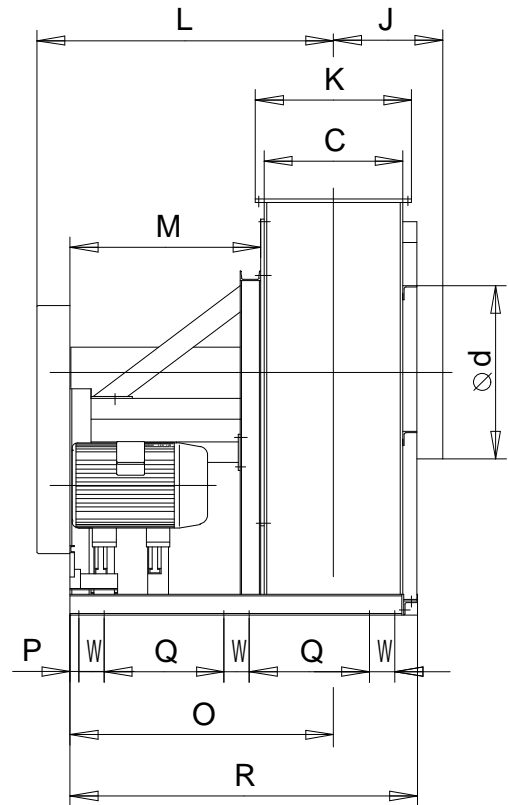
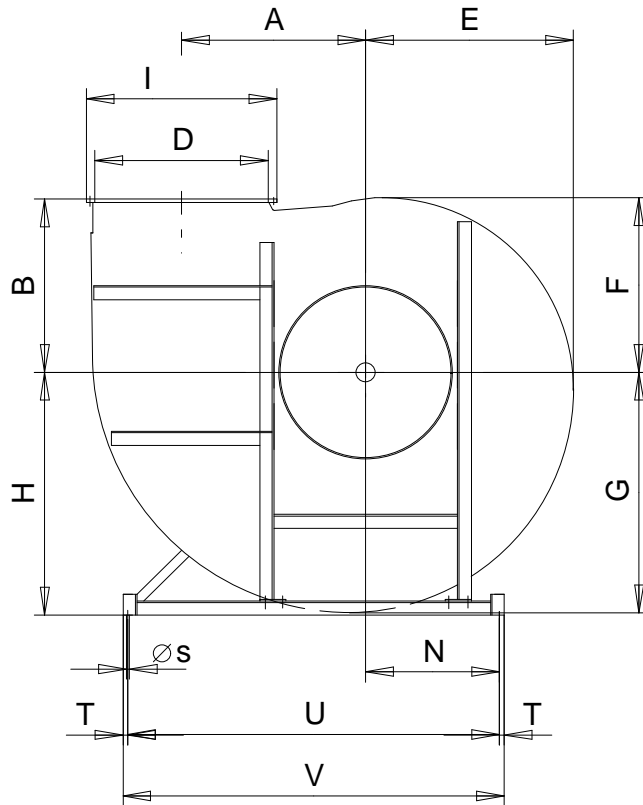


Ventilateur type CHVN 800-1250 Entraînement par courroies

Modifications réservées



| CHVN | 800 | 900 | 1000 | 1120 | 1250 |
|-------------|------|------|------|------|------|
| A | 860 | 964 | 1062 | 1200 | 1265 |
| B | 800 | 900 | 1000 | 1120 | 1120 |
| C | 630 | 710 | 800 | 900 | 1000 |
| D | 800 | 900 | 1000 | 1120 | 1250 |
| ∅d | 800 | 900 | 1000 | 1120 | 1250 |
| E | 963 | 1081 | 1197 | 1347 | 1405 |
| F | 807 | 907 | 1007 | 1133 | 1155 |
| G | 1119 | 1255 | 1387 | 1561 | 1655 |
| H LG/RD 0 | 1250 | 1250 | 1400 | 1600 | 1800 |
| H LG/RD 45 | 1250 | 1250 | 1400 | 1600 | 1600 |
| H LG/RD 90 | 1000 | 1250 | 1250 | 1400 | 1400 |
| H LG/RD 135 | 1000 | 1250 | 1250 | 1250 | 1400 |
| H LG/RD 270 | 1600 | 1600 | 1800 | 2100 | 2100 |
| H LG/RD 315 | 1250 | 1400 | 1600 | 1800 | 1800 |
| I | 900 | 1000 | 1100 | 1220 | 1350 |
| J | 500 | 560 | 630 | 710 | 800 |
| K | 730 | 810 | 900 | 1000 | 1100 |
| L | 1435 | 1665 | 1710 | 1760 | 1810 |
| M | 1100 | 1100 | 1100 | 1100 | 1100 |
| N | 772 | 772 | 772 | 772 | 772 |
| O | 1435 | 1475 | 1520 | 1570 | 1620 |
| P | 50 | 50 | 50 | 50 | 50 |
| Q | 608 | 648 | 693 | 743 | 793 |
| R | 1830 | 1915 | 2005 | 2105 | 2205 |
| ∅s | 12 | 12 | 12 | 12 | 12 |
| T | 27.5 | 27.5 | 27.5 | 27.5 | 27.5 |
| U | 2145 | 2145 | 2145 | 2145 | 2145 |
| V | 2200 | 2200 | 2200 | 2200 | 2200 |
| W | 146 | 146 | 146 | 146 | 146 |

